

# Instructions For Use

REGULATED MEDICAL WASTE  
SENSOR LID USER MANUAL



# Product Overview

The **sensor lid** is an electronic device that utilizes an infrared proximity sensor to detect hand movement or objects within a defined activation zone above the lid, automatically triggering the opening mechanism. This hands-free operation enhances infection control and minimizes physical contact. The lid automatically closes after a short period of inactivity unless continuous motion is detected within the sensor range.

This device is designed for indoor use only and is intended exclusively for use with Daniels Health RMW (Regulated Medical Waste) Reusable Tubs, specifically **for the disposal of non-sharps medical waste.**

- ▶ This user manual applies solely to the sensor lid component. It does not apply to the underlying reusable base container or any other accessory items.
- ▶ The sensor lid remains the property of the hospital or healthcare facility. When the container reaches capacity, the sensor lid must be removed and retained. A transport-compatible snap lid, provided with the RMW container, must be attached to ensure the container is securely closed during transport. The sensor lid is not intended to be shipped with waste.

28 GALLON  
RMW REUSABLE TUB



38 GALLON  
RMW REUSABLE TUB



# Safety Precautions



**Before using the sensor lid, please read and follow the safety instructions outlined below to ensure proper operation and to minimize the risk of injury or device malfunction.**

- ▶ Keep hands, fingers and objects clear of the lid's moving parts during opening and closing to avoid potential pinching or injury.
- ▶ Do not place heavy objects on the lid or attempt to sit, stand or lean on the unit.
- ▶ Avoid exposure to liquids or splashing. While the unit may be used in healthcare environments, direct contact with fluids may interfere with sensor function.
- ▶ Do not attempt to disassemble, modify or repair the lid. The device contains sensitive electronics and must only be serviced by qualified personnel authorized by the manufacturer.
- ▶ If the lid becomes damaged or inoperative, remove it from use and contact your Daniels Health representative or technical support for guidance.
- ▶ Use indoors only in clean, dry environments. This device is not designed for outdoor or high-humidity environments.
- ▶ Ensure that the sensor area is unobstructed at all times. Stickers, splatter or clutter near the sensor can prevent correct functioning.
- ▶ Always follow facility SOPs for infection prevention, biohazard waste handling and device cleaning.
- ▶ This appliance is not intended for use by persons (including children) with reduced physical, sensory or mental capabilities, or lack of experience and knowledge, unless they have been given supervision or instruction concerning use of the appliance by a person responsible for their safety.
- ▶ Children should be supervised to ensure that they do not play with the appliance.
- ▶ Do not expose the appliance or battery to excessive temperatures.
- ▶ Be aware of the risk of terminals of the battery-operated appliance or battery being short-circuited by metal objects.

# Battery Installation & Replacement



- 1 Remove the lid from the red 28- or 38-gallon bin base and place it on a clean, disinfected surface.
- 2 Open the battery cover located on the top side of the lid.
- 3 If replacing batteries, remove all four existing batteries and dispose of them according to local environmental regulations. A red light will flash every 20 seconds to indicate that the battery is low.
- 4 Insert four new alkaline AA batteries observing polarity (+/-).
- 5 Close the cover firmly.

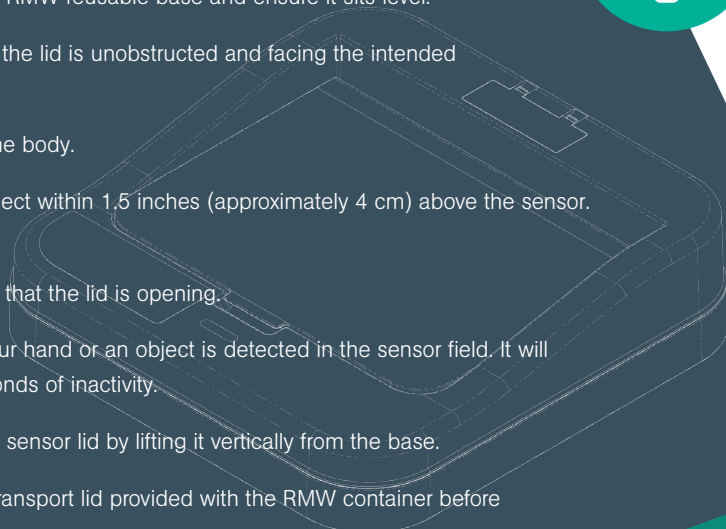
**NOTE:** Based on typical daily use (~20 openings per day), batteries should be replaced approximately every six months. Always replace all four batteries at the same time to maintain consistent performance.

- ▶ Do not dispose of batteries inside the RMW container.
- ▶ Dispose of used batteries via correct e-waste or battery recycling services in accordance with local regulations.
- ▶ Only use non-rechargeable alkaline AA batteries. Do not use rechargeable or mixed battery types.
- ▶ If batteries leak, remove them immediately, avoid contact with leaked material, clean the compartment with a dry cloth, and dispose of batteries in accordance to local regulations.

# Operation



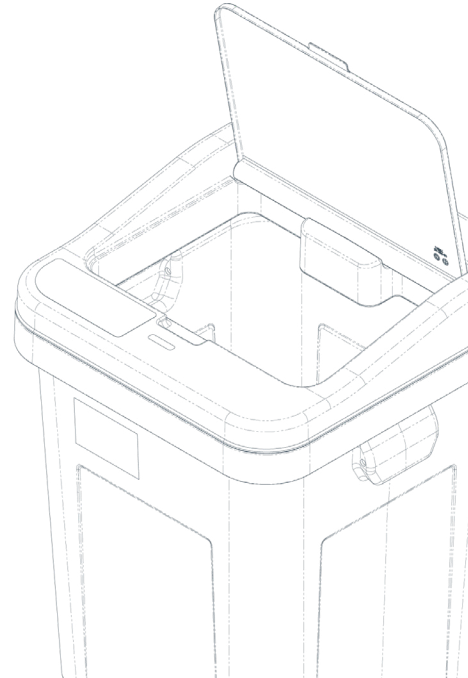
- 1 Align the sensor lid with the rim of the RMW reusable base and ensure it sits level.
- 2 Confirm that the sensor at the front of the lid is unobstructed and facing the intended direction of approach.
- 3 Remove the tape securing the lid to the body.
- 4 To open the lid, wave your hand or object within 1.5 inches (approximately 4 cm) above the sensor. The lid will open automatically.
- 5 A green light will illuminate to indicate that the lid is opening.
- 6 The lid will remain open as long as your hand or an object is detected in the sensor field. It will automatically close after ten (10) seconds of inactivity.
- 7 When the container is full, remove the sensor lid by lifting it vertically from the base.
- 8 Replace the sensor lid with the solid transport lid provided with the RMW container before moving or transporting the bin.
- 9 The sensor lid is intended for use within the healthcare facility only and must not be transported with the waste container.



# Cleaning and Maintenance



- ▶ Wipe external surfaces using a hospital-grade disinfectant that is compatible with plastics. Use a clean, lint-free cloth or disposable wipe.
- ▶ The sensor lid contains electronic components. Do not immerse the lid or head unit in liquids under any circumstances.
- ▶ Do not use abrasive cleaning pads, solvents or high-pressure sprays, as these may damage the lid's surface, sensor or finish.
- ▶ Always adhere to facility SOPs for cleaning schedules and approved disinfecting agents used in clinical environments.
- ▶ After cleaning, visually inspect the lid for signs of damage or residue build up. Allow surfaces to dry completely before use or battery access.



# Specifications

Model Number	Power Rating	Voltage Rating	Lid Cycle Time	Sensor Range
3120003001	2-3W	6V	15 seconds	1.5 inches/4cm

## Warranty

The manufacturer warrants the sensor lid against defects in materials and workmanship for a period of 12 months from the date of sale, provided the product is used under normal conditions and in accordance with the instructions in this manual.

### **This warranty does not cover:**

- ▶ Damage due to misuse, abuse or unauthorized modifications
- ▶ Normal wear and tear
- ▶ Improper storage or handling
- ▶ Use with non-approved waste containers or battery types

# Troubleshooting

Issue	Cause	Solution
Lid does not open	Batteries depleted	Replace batteries
Lid opens erratically	Sensor window dirty	Clean window
Lid remains open	Object in sensor field	Remove obstruction

## Compliance Information

### UL Certification (NRTL)

This device has been evaluated and certified to:

- ▶ UL 60335-1: Safety of Household and Similar Electrical Appliances – Part 1: General Requirements, recognized by OSHA under 29 CFR §1910.
- ▶ Certification was conducted under a Nationally Recognized Testing Laboratory (NRTL) program.

### FCC Part 15 (47 CFR Part 15)

This device complies with the applicable limits for a Class B unintentional radiator under FCC Part 15. Although exempt, it has been designed to minimize the risk of harmful interference. Operation is subject to the condition that it does not cause harmful interference to radio communications.

# Making Healthcare Safer



Across four decades, Daniels has evolved to become one of the most influential healthcare service companies in the world. Its safe practices have become the benchmark of global standards, its robotic washing and treatment technologies have achieved unprecedented levels of decontamination efficacy, and its products are esteemed unrivalled industry-wide in **protecting the safety of healthcare workers**. We are collectively and passionately committed to Making Healthcare Safer.



FOR MORE INFORMATION,  
PLEASE CONTACT:



[www.danielshealth.com](http://www.danielshealth.com)



[USA@danielshealth.com](mailto:USA@danielshealth.com)



(855) 251 2655

